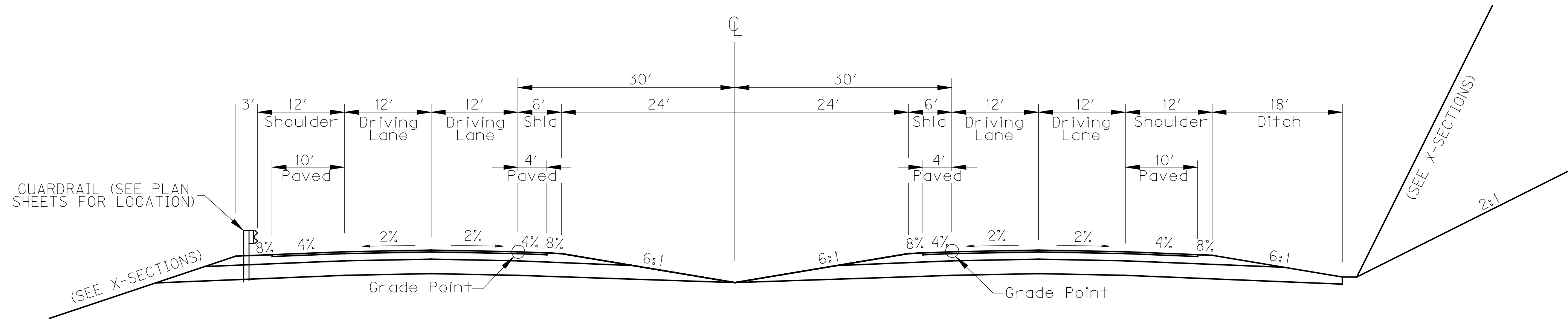
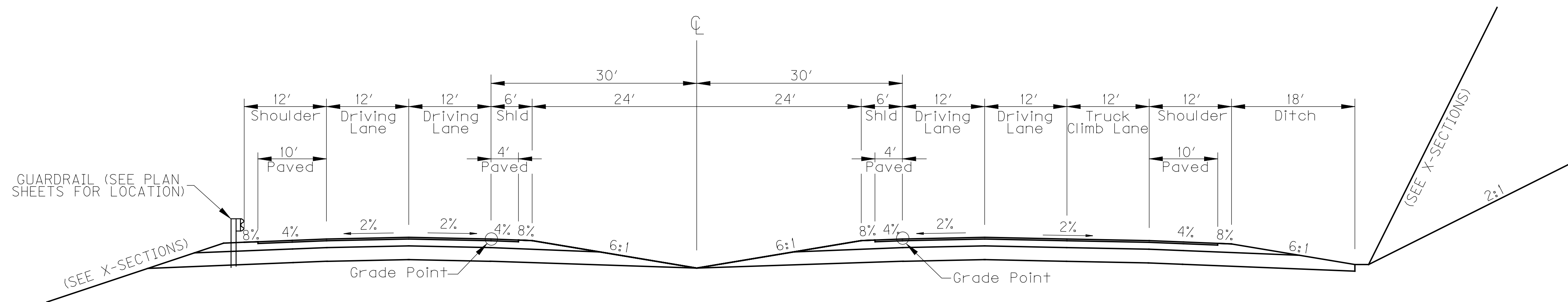


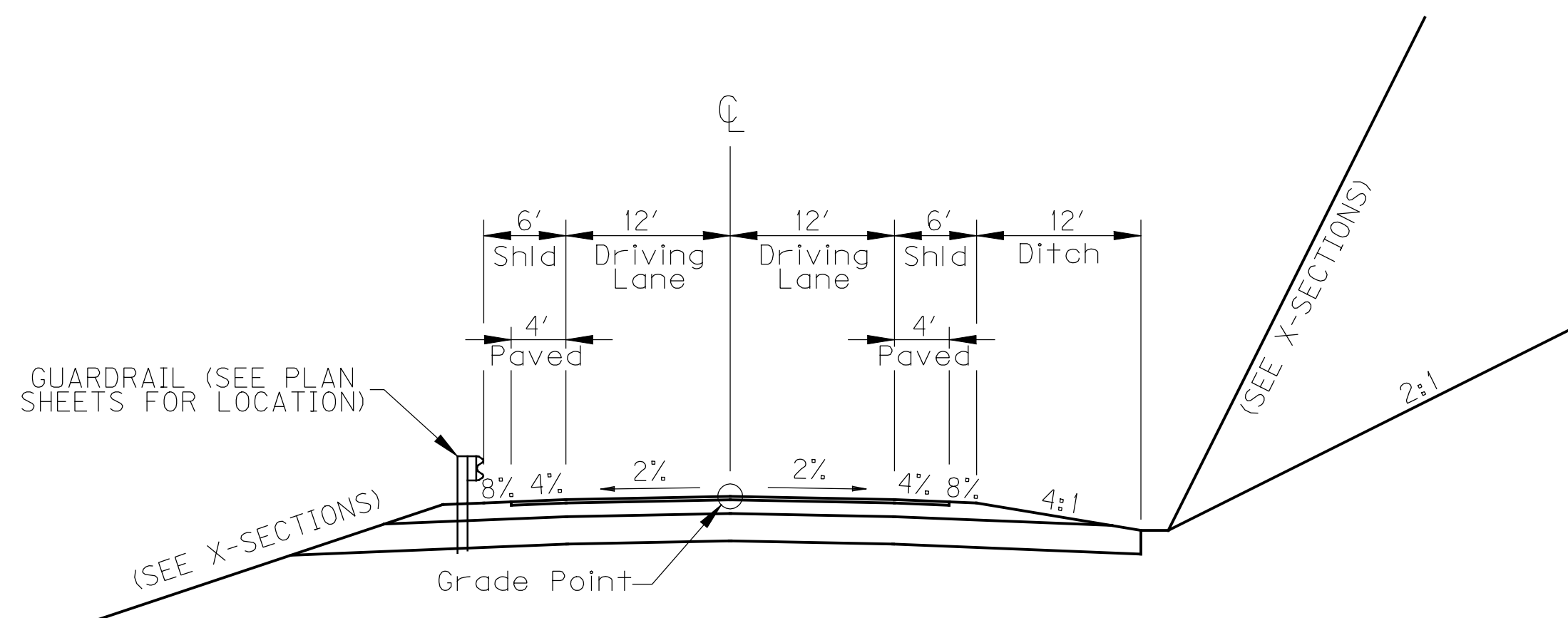
# I-66 APPALACHIAN CORRIDOR TYPICAL SECTIONS



MAINLINE TYPICAL SECTION  
WITHOUT TRUCK CLIMBING LANE



MAINLINE TYPICAL SECTION  
WITH TRUCK CLIMBING LANE



KY 1441 NORMAL SECTION